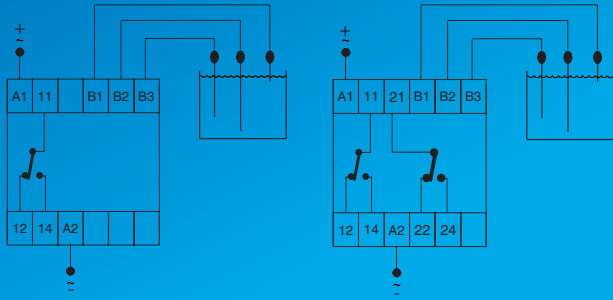
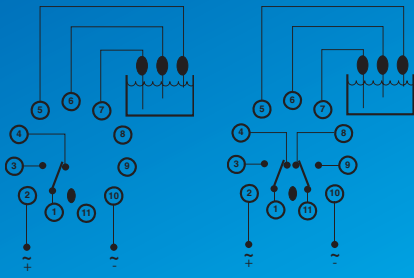


NEW!

Rhomberg relays in 22.5mm DIN rail



SPDT (1 C/O)
or
DPDT (2 C/O)

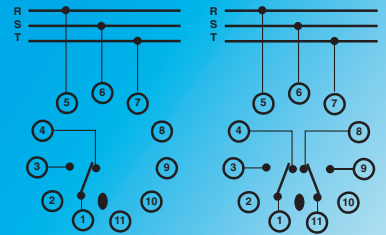


- Control of level between high & low probes
- Adjustable sensitivity improves reliability
- Coated electrodes eliminates false switching
- 12, 24 VAC/DC, 24, 110, 240, 415 VAC

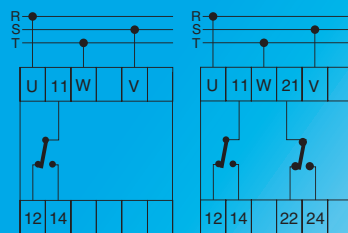
Liquid Level Control

- Protection of 3-phase motors & loads against phase failure or asymmetry, incorrect phase sequence, or voltage imbalance.
- Adjustable sensitivity improves reliability
- 110, 220, 400-415, 525 VAC

3-Phase Protection



SPDT (1 C/O)
or
DPDT (2 C/O)



RHOMBERG

www.rhomberg.com.au

